



Dr. BALASAHEB SAWANT KONKAN KRISHI VIDYAPEETH,
COLLEGE OF AGRICULTURAL ENGINEERING AND TECHNOLOGY,

Dapoli 415712, Dist. Ratnagiri (MS)

Off : (02358)282414

Fax: (02358) 282414

No. CAET/ FMP /PU/ 1036 / of 2020

Date: 28/07/2020

To,

Sub: Quotation for 'Vaibhav' sickles

Sir,

This College intends to purchase following material. Therefore, you are requested to please send us the quotation in sealed envelope with terms and conditions of sales and payment, so as to reach this office on or before dated **18/08/2020**

If you are an authorized dealer or manufacturer please submit the respective certificate. Please quote the reference no. on envelop. The leaflets of said items, if any may please be send alongwith the quotation. The specification of the items and required quantity is as shown below.

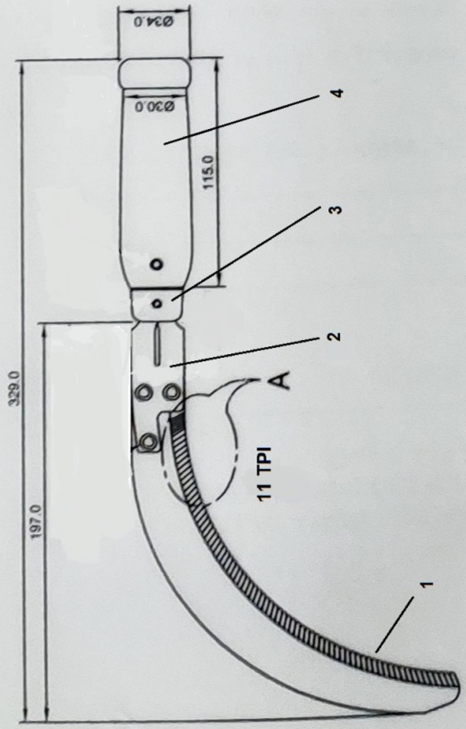
S.N.	Material Description	Qty.	Rate (Rs.) each
1.	'Vaibhav' sickles as per our specifications	4000 nos.	

The quotation may please be sent in the favour of Associate Dean, College of Agricultural Engineering and Technology, Dapoli so as to reach this office as earliest.

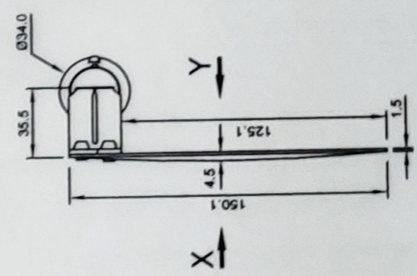
Thanking you,

Yours Faithfully

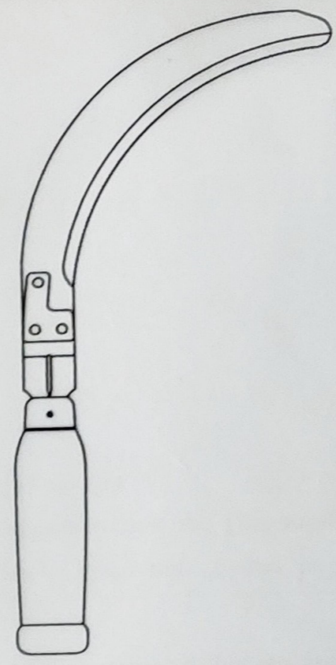
Associate Dean
College of Agril. Engg. and Tech.,
Dr. BSKKV, Dapoli



VIEW: X



VIEW: Y



Sr. No.	Description	Material	Qty.
1	Blade	MS Sheet	
2	Tong	MS Sheet	
3	Ferrule	MS Sheet	
4	Handle	Wood	

Fig. No.: 000

Material:

VAIBHAV SICKLE

Drawn by: Girish

Checked by: Kishor Dhande

Scale: 1:1

Remark:

(All dimensions are in mm)